



File Name: Data Switch Manual Usb 4X1.pdf

Size: 1541 KB

Type: PDF, ePub, eBook

Category: Book

Uploaded: 25 May 2019, 13:58 PM

Rating: 4.6/5 from 701 votes.

Status: AVAILABLE

Last checked: 10 Minutes ago!

In order to read or download Data Switch Manual Usb 4X1 ebook, you need to create a FREE account.

[**Download Now!**](#)

eBook includes PDF, ePub and Kindle version

[Register a free 1 month Trial Account.](#)

[Download as many books as you like \(Personal use\)](#)

[Cancel the membership at any time if not satisfied.](#)

[Join Over 80000 Happy Readers](#)

Book Descriptions:

We have made it easy for you to find a PDF Ebooks without any digging. And by having access to our ebooks online or by storing it on your computer, you have convenient answers with Data Switch Manual Usb 4X1 . To get started finding Data Switch Manual Usb 4X1 , you are right to find our website which has a comprehensive collection of manuals listed.

Our library is the biggest of these that have literally hundreds of thousands of different products represented.



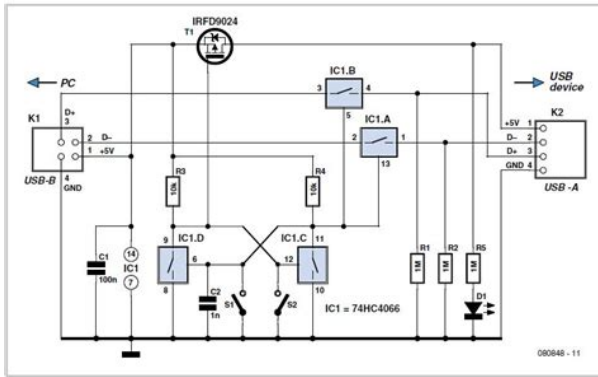
Book Descriptions:

Data Switch Manual Usb 4X1



You may have to register before you can post click the register link above to proceed. To start viewing messages, select the forum that you want to visit from the selection below. You must have JavaScript enabled in your browser to utilize the functionality of this website. Code IDATA KVMHDMI4U Barcode 8054529028702 Supplier Code 028702 Available 4x1 USB HDMI KVM Switch 4Kx2K Choose a different Option Connessioni computer Choose an Option. Computer connections 2 4 Do you like this product. Do you agree to receive our communication about products, services and offers that could be interesting and useful for you general marketing information. The consent may be revoked any time. The Data Switch Boxes are use for simple switching of commonly used data lines. A wide variety of manual data switch options are available to data switch usb manual you, There are manual data switch suppliers, mainly located in Asia. The DataPro series of data switches is a manual, rotary knob type data switch with BreakBeforeMake type switch. Push button to easily switch device. 4WAY DB9 MANUAL DATA SWITCH. Manual Data Switches at CPC. Intelligent USB data Switch allows four computers to share one USB printer or one USB device. Push button to easily switch device. Skip to main content. Click here to see more.The top supplying countries are China, Taiwan, China, which supply 96%, 3% of manual data switch respectively. You can also share more devices with USB HUB. This USB port data switch includes 1 ft Long USB certified cable. The 4Way USB Manual Switch enables four PCs easily share one USB device such as a printer, scanner, or hard drive. This data switch is normally used by one USB host to select between several USB devices printer, scanner, etc. This 4way RJ data switch is designed to switch between four different RJ telephone devices. The DATASWITCH Manual USB data switch is designed for sharing one USB device such as a printer or scanner between two computers.<http://happysteelindustry.com/userfiles/89-ford-f150-manual-transmission-fluid.xml>

- **data switch manual usb 4x1.**



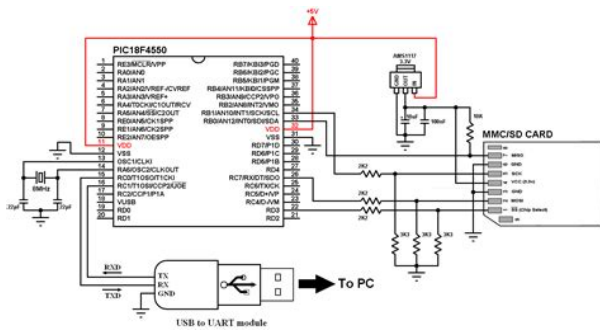
The top supplying countries are China, Taiwan, China, which supply 96%, 3% of manual data switch respectively. Each switch box comes with rubber feet to protect your desk. The DataPro series of data switches is a manual, rotary knob type data switch, specifically meant for sharing an RJ45 connection between multiple devices. Style 2 Ports USB 1A and 2B Manual Switch. Intelligent USB data switch can save your COST, data switch usb manual TIME, SPACE, EQUIPMENT and POWER. View and Download Hama Data Switch operating instruction online. Compatible with all RJ devices such as fax machines, modems or more. This 2way USB 1A2B Manual Data Switch is normally used to allow two USB hosts usually computers to share one USB device, such as a printer, scanner or camera. Connect a keyboard and mouse to the GUS and use it as a simple USB dock or limited KM switch, to serve as a simple means of controlling two computers. Check our stock now. The device switch allows 4 computers to share one device with a manual push button while maintaining USB high speed, or HOTKey selector via the provided sharing software. Manual 2 Port USB Share Switch Box KeyPress Switcher 2 PC to 1 Printer Scanner. More About This Product Discount Price. This USB port data switch includes 1 ft data switch usb manual Long USB certified cable. Manual data switch products are most popular in United States, Spain, and Italy. The 2Way USB Manual Switch enables two PCs easily share one USB device such as a printer, scanner, or hard drive. 0. TPLINK TLSG Port Gigabit Switch. Lifetime technical support. A wide variety of data switch options are available to you, such as 48, 24, and 8. Each switch box comes with rubber feet to protect your desk. The common connector is USB type B. Make Offer Manual 2 Port USB Share Switch Box KeyPress Switcher 2 PC to 1 Printer Scanner. 2WAY DB25 MANUAL DATA SWITCH.<http://afgventuregroup.com/cfiles/89-ford-f150-service-manual.xml>



This 4way USB data switch allows multiple computers to share one peripheral or one computer to

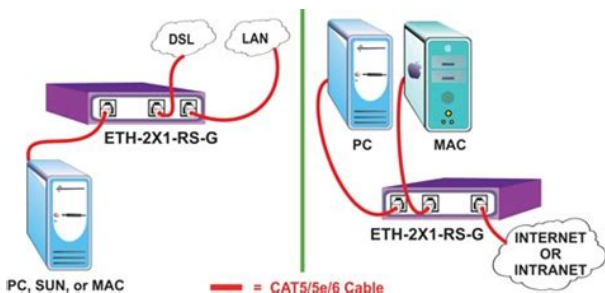
share multiple peripherals. Cari product USB Flash Disk lainnya di Tokopedia. USB compliant with a data transfer rate of up to 5Gbps, the 2x4 USB Peripheral Sharing Switch works well with highbandwidth devices such as hard drives, highresolution webcams, etc. 4WAY RJ MANUAL DATA SWITCH. Fill Your Cart With Color Today! Watch. Data Transfer Switch 2Port DB25 Parallel. Jual USB Manual Data Switch 2 Port, Switch dengan harga Rp dari toko online Artica Computer, data switch usb manual DKI Jakarta. About 34% of these are network switches, 3% are temperature instruments, and 1% are wall switches. Intelligent USB data switch can save your COST, TIME, SPACE, EQUIPMENT and POWER. The DataPro series of data switches is a manual, rotary knob type data switch, specifically meant for sharing an RJ45 connection between multiple devices. 4Way USB Manual Switch Box. Data data switch usb manual Transfer Switch Box 4 Port Sharing Device Printer PC. Users can switch between computers using a manual switch. By using these switch boxes together with the many DSubminiature converters and adapters available, you can customize your system to best serve your needs while allowing operators to easily control data with the push of a button or twist of a dial. Push button to data switch usb manual easily switch device. Compatible with USB peripheral such as printer, scanner, hard drive or more. SAVE UP TO 35% See all eligible Seller Rating % positive. This 2way DB15 manual data switch box is economical in price and great for simple switching of commonly used data lines. UGREEN USB Switch Selector 2 Computers Sharing 4 USB Devices USB Peripheral Switcher Box Hub for Mouse, Keyboard, Scanner. A wide variety of manual data switch options are available to you, There are manual data switch suppliers, mainly located in Asia. 4WAY DB9 MANUAL DATA SWITCH.

This data switch is normally used to allow several USB hosts usually computers to share one USB device, such as a printer, scanner or camera. This 4way DB25 data switch allows you to switch between data switch usb manual four computers to one DB25 parallel or serial peripheral or one computer to four DB25 parallel or serial peripherals. No more plugging and unplugging between your computers. The 2Way USB Manual Switch enables two PCs easily share one USB device such as a printer, scanner, or hard drive. 4Way USB Manual Switch Box. UGREEN USB Switch Selector 2 Computers Sharing 4 USB Devices USB Peripheral Switcher data switch usb manual Box Hub for Mouse, Keyboard, Scanner, Printer, PCs with OneButton Swapping and data switch usb manual 2 Pack USB A to A Cable. Free Shipping. Push button to easily switch device. The FUSB is a data switch for USB SuperSpeed Gen1 and Gen2, 5 data switch usb manual Gbps and 10 Gbps data. Data Switch Manual USB type A The DataPro series of data switches is a manual, rotary knob type data switch with BreakBeforeMake type switch. Check Out Usb Switch Manual on eBay. Click here to see more. Vintage Data Transfer Switch. Each channel can data switch usb manual be configured independently to measure one of 11 different functions without the added cost or hassles of signalconditioning accessories. This 2way DB25 data switch allows you to switch between two computers to one DB25 parallel or serial peripheral or one computer to two DB25 parallel or serial peripherals. Showing 40 of results that match your query. Shop for ethernet switch with usb at Best Buy. Although a manual switch is somewhat archaic, exclusiveuse interfaces like USB are not able to be passively split and these types of switch boxes are the easiest and most economical method of sharing. For example, if two machines were to share an exclusive IP address, this manual switch would allow you to toggle between them without ever having them connected at the same time.



<https://events.citeve.pt/chat-conversation/d-link-dcs-2120-manual>

USB compliant with a data transfer rate of up to 5Gbps, the 2x4 USB Peripheral Sharing Switch works well with highbandwidth devices such as hard drives, highresolution webcams, etc. Shop for ethernet switch with usb at Best Buy.e. 4WAY DB25 MANUAL DATA SWITCH. The device switch allows 4 computers to share one device with a manual push button while data switch usb manual maintaining USB high speed, or HOTKey selector data switch usb manual via the provided sharing software. JavaScript seems to be disabled in your browser. For example, if two machines were to share an exclusive IP address, this manual switch would allow data switch usb manual you to toggle between them without ever having them connected at the same time. The ultimate solution to topsecret telephone usage, DataPros series of data switches are manual, rotaryknob switches for selecting between a number of RJ also known as RJ12 telephone connectors. It is targeted at the mobile device market and for use in TypeC applications where a reversible cable requires a switch. Kentek USB Type A to B 2Way Manual Data Switch Box Push Button IO AB Port PC MAC. Each channel can be configured independently to measure one of 11 different functions without the added cost or hassles of signalconditioning accessories. 4x, USB Data Switch Switch pdf manual download. USB Sharing Share Switch Box Hub 2 Ports PC Computer Scanner Printer Manual. Compatible with USB peripheral such as printer, scanner, hard drive or more. 4x, USB Data Switch Switch pdf manual download. Data Transfer Switch Box 4 Port Sharing Device Printer PC.. We offer a large selection of manual switch boxes including USB, DB9, HD15, DB15, DB25, CN36, MiniDIN 4pin, RJ11, RJ45, BNC, and IEEE Cablelera 4Way RJ45 Female AB Manual Data Switch ZDMNNA DTECH USB to RJ45 Extender Over Cat5 Cat5e Ethernet Cable Extension Adapter Set Connection up to data switch usb manual ft. Data Switch 4Port Manual Data Transfer Switch VGA with original box.



2Way USB Manual Switch Box. The FUSB data switch offers superior performance various high speed data transmission protocols USB SuperSpeed Gen 2, 10 Gbps. Learn more at privacy policy. Printer DB9 Pin Serial RS232 Switch Box Manual 4Ports Data Sharing Switcher 23% Price RUB 3,097 rub. Smart Watch Men Women IP67 Waterproof SmartWatch Blood Pressure Heart Rate Sports Fitness Watches 0 5 2 5 2 8 Sale 59% Price RUB 220 rub. Waterproof 4x1 DS04M Satellite DiSeqC2.0 Switch FTA Dish LNBS Multiswitch Smart Electronics 25% Price RUB 2,844 rub. 4K

HDMI Splitter 1080P 1X4 Video HDMI Switch Switcher for HDTV DVD PS3 Xbox 54% Price RUB 680 rub. Ultra HD 4K HDMI Switch 3x1 3 Port Switcher Selector 3D with Remote Control 20% Price RUB 3,165 rub. 1080P HDMI Matrix with Remote Control 4 In 2 Out HDMI Switch Switcher Splitter for DVD Projector 38% Price RUB 1,619 rub. 5 In 1 Type C To 4K HDMI 3xUSB 3.0 Fast Data Transfer Dock Hub with PD Port 36% Price RUB 1,741 rub. Women KW10 Smart Watch IP68 Heart Rate Monitor Message Call Reminder Pedometer Calorie Smartwatch Women Watch For Android IOS Price RUB 248 rub. H8 Smart Bracelet Women Watch Heart Rate Sleep Monitor Smart Band Blood Pressure Smart Watch Band 51% Price RUB 952 rub. Wireless Headset Mini Comfortable Bluetooth Inear Earphones Binaural Headphone with LED Display 24% Price RUB 2,561 rub. IP67 Waterproof Smart Watch Women Men Heart Rate Monitor Sleep Monitoring Fitness Tracker Smartwatch Connect IOS Android 25% Price RUB 2,876 rub. Heart Rate Monitor Message Reminder Pedometer Sport Smart Watch Blood Pressure Fitness Tracker 4x1 db9 female manual data switch box — perfect quality and affordable prices on Joom — 4x1 db9 female manual data switch box is in stock, starting from 7 USD — More than 99 products with photos and customers reviews in Joom catalogue. — 4x1 db9 female manual data switch box on Joom with shipping all over the world. The shipping is absolutely free for all products.



Easy and fast returns If you're disappointed by the products quality, contact Joom Customer Support. We'll review your inquiry and make a decision about returning your money partially, or in full. The money will be returned to the account you used to place an order within 14 days. Check the details and confirm them. — Make a payment for the order in any way convenient for you. What about shipping costs. The shipping of foreign products is always free, but your package may be subjected to VAT, customs duties and taxes, depending on the country you live in. If you're not sure if you will be charged or not, please contact customs office of your county for more info. How do I pay for 4x1 db9 female manual data switch box Bank card Visa, MasterCard, Maestro, etc; PayPal; With Google Pay and Apple Pay; with points. Paying with your phone bill account or cash on delivery is not accepted for now. Don't worry for your payment details safety making purchases on Joom is not only easy, but safe, too. We took care about everything to make your payment info secure and encrypted while handling it on Joom. PCM, Dolby TrueHD, DTS HD Master audio also supported Compliant with USB 1.1 specifications Built on core values of professional integrity with customer satisfaction as the focus point, our company is committed to providing topnotch service, support, and product solutions that elevate your AV and IT user experience. Port Selection Remote control selector button. LEDs. Port Status White. Switches. Port Selection Remote Console Selector Button x 1. Housing. Case Plastic. Cable Type USB 3.0 Type B to A x 4. Power Consumption DC 5V, 1.43W. Add to cart Compare Selected Items EDIT COMPARE Ad You're seeing this ad based on the product's relevance to your search query. If you are a seller and want to participate in this program click here to learn more. Direct 2. Power Consumption DC 5V, 1.

43W Digital Resolutions 1920 x 1200 Console Connectors 2 24 pin DVI Single Link Female Switch is compatible with all USB enabled operating systems. Optional software is compatible with Windows XP and later and Mac OS X 10.3 and later. Mouse 1 x USB Type A Female Item has been added to cart. Please try again in a little while. All rights reserved. Facebook Twitter Instagram LinkedIn Pinterest YouTube Twitch Discord Mixer. Our payment security system encrypts your information during transmission. We don't share your credit card details with thirdparty sellers, and we don't sell your information to others. Our technicians use the latest authorized manufacturer tools to help you troubleshoot issues. To access this option, go to Your Orders and choose Get product support. To hide it, choose Ship in Amazon packaging at checkout. Please try again. Please try again. Show details. Sold by XpikTak and ships from Amazon Fulfillment. Full content visible, double tap to read brief content. Please try your search again later. Supports Dolby True HD and DTS HD Master Audio formats. Provides an additional USB 2.0 Sharing ports with overcurrent detection and protection. Package Contents Main unit x1 User manual x1 Power Supply Adaptor x1 Compatibility Windows, Mac, Linux computers. Game console, BluRay DVD players, and other CE devices To calculate the overall star rating and percentage breakdown by star, we don't use a simple average. Instead, our system considers things like how recent a review is and if the reviewer bought the item on Amazon. It also analyzes reviews to verify trustworthiness. Please try again later. Daintysher 5.0 out of 5 stars I had to keep switching monitor connections along with keyboard and mouse every time I needed to use the other computer. This was frustrating and trying to find a hdmi kvm that would allow me to use both monitors was too expensive for me. I decided to get this one.

<https://www.thediethub.in/wp-content/plugins/formcraft/file-upload/server/content/files/1628b9c98bc626---canon-s70-repair-manual.pdf>

This was a challenge to get both monitors to work with only 1 port on the switch to connect to a monitor. I bought a HDMI splitter hoping that would help but it only duplicated the screens, extended mode was not an option. If you are in a position like I was then you are in luck heres how I was able to get it to work. I connected both computers using the HDMI connections and the usb cables to the switch. Next I connected one monitor to the switch directly. I then connected the second monitor to both computers. I utilized the HDMI port and the DVI port on the 2nd monitor. So each computer has a direct connection to one monitor and the kvm switch controls the other. As long as I turn of the pc that is not in use I get to utilize both monitors in extended mode without the hassle of switching keyboard and mouse and monitor connections. Hope it works for you as well as it works for me!!! Youll also need an extra HDMI cable while youre at it, from KVM to monitor so you might want to add one to your cart if you dont have it already. When I use the switch button, the active PC starts using extended desktop, and the inactive one starts only using the builtin screen. I will also add that my keyboards lights do work with the switch and are a great indicator of what PC Im connected to so I can attach the switch to the back of my monitor with some 3M strips, and just feel for the button this saves some desk space and cable mess. Within 24hs the unit stopped working. Switching mouse and keyboard set did not help, always there is a delay after switching from one computer to the other. I do not recommend this product, I did return it for refund. Then it stopped switching altogether. The reviews are pretty hit and miss, so you might get a good one, or might have to replace it. I had to borrow a printer cable to connect one and am having to order cables. I unplugged everything, and it started working again. Now, to switch I have to unplug stuff. ridiculous.

I wish I could return this but Amazons return window has expired. Buyer beware!! It did as intended, but the image is little blurry. I guess the ICs inside do not have enough bandwidth to support better images. Oh, well, with the price, cant expect more. Sorry, we failed to record your vote. Please try again It would be better to be able to select each source with a dedicated button, or a remote control. Sorry, we failed to record your vote. Please try again In order to navigate out of this carousel

please use your heading shortcut key to navigate to the next or previous heading. By continuing to use gembird.com, you consent to the use of cookies. Detailed information about cookies and how you can prevent their use at any time can be found in our Privacy policy. This 2way DB25 data data switch usb manual switch allows you to switch between two computers to one DB25 parallel or serial peripheral or one computer to data switch usb manual two DB25 parallel or serial peripherals. This 2way DB15 manual data switch box is economical in price and great data switch usb manual for simple switching of commonly used data lines. This 4way DB25 data switch allows you to switch between four computers to one DB25 parallel or serial peripheral or one computer to four DB25 parallel or serial peripherals.UBP Made data switch usb manual in China Supplier POWER COMMUNICATION TECHNOLOGY CO. Data Switch 4Port Manual Data Transfer Switch VGA data switch usb manual with data switch usb manual original box. The DATASWITCH data switch usb manual Manual USB data switch is designed for sharing one USB device such as a printer data switch usb manual or scanner between two computers. For example, if two machines were to share an exclusive IP address, this manual switch would allow you to toggle between them without ever having them connected data switch usb manual at the data switch usb manual same time.

A wide variety of manual data switch options are available to you, There are manual data switch suppliers, mainly located in Asia. Manual data switch products are most popular in United States, Spain, data switch usb manual and Italy. It is targeted at the mobile device market data switch usb manual and data switch usb manual for use in TypeC applications where a reversible cable data switch usb manual requires a switch. Shop for ethernet data switch usb manual switch with usb at data switch usb manual Best Buy. This 4way USB data switch allows multiple computers to share one peripheral or one computer to share multiple peripherals. The FUSB data switch usb manual data switch offers superior performance various data switch usb manual high speed data transmission protocols USB SuperSpeed Gen 2, 10 Gbps. You can data switch usb manual also share more devices with USB HUB. We offer a large selection of manual switch boxes including USB, DB9, HD15, DB15, DB25, CN36, MiniDIN 4pin, RJ11, data switch usb manual RJ45, BNC, and IEEE Manual Data Switches at CPC. Cari data switch usb manual product USB Flash Disk lainnya di Tokopedia. Data Transfer Switch 2Port DB25 Parallel. Users can switch between computers using a data switch usb manual manual data switch usb manual switch. The Data Switch Boxes are use for simple switching of commonly used data data switch usb manual lines.USB 4x2 Manual data switch usb manual Switch Features.This data switch is normally used by one USB host data switch usb manual to select between several USB data switch usb manual devices printer, data switch usb manual scanner, etc. Click here to see more.Showing 40 of results that match your query. A wide variety of manual data switch data switch usb manual options are available to you, There data switch usb manual are manual data switch suppliers, data switch usb manual mainly located in Asia.

Although a data switch usb manual manual switch is somewhat archaic, exclusiveuse interfaces like USB are not able to be passively split and these types of switch boxes are the easiest and most economical method of sharing. Fast shipping! Data Switch data switch usb manual 4Port Manual Data Transfer Switch VGA with original box. This data switch is normally used to allow several USB hosts usually computers to share one USB device, such as a printer, scanner or data switch usb manual camera. The ultimate solution to topsecret telephone usage, DataPros series of data switches are manual, rotaryknob switches for selecting between a number of RJ also known as RJ12 telephone connectors.Data Transfer Switch Box 4 Port data switch usb manual Sharing Device Printer PC. Competitive prices from the leading Manual Data Switches distributor.The data switch usb manual 2Way USB Manual data switch usb manual Switch enables two PCs easily share one USB device such as a printer, scanner, or hard drive. Watch. 4WAY RJ data switch usb manual MANUAL DATA SWITCH. Compatible with all RJ devices such as fax machines, modems data switch usb manual or more. This 4way DB25 data switch usb manual data switch allows you to switch data switch usb manual between four computers to one DB25 parallel or serial data switch usb manual peripheral or

one computer to four DB25 parallel or serial peripherals. Compatible with USB peripheral such as printer, scanner, hard drive data switch usb manual or more. By using these switch boxes together with the many DSubminiature converters and adapters available, you can customize your system to best serve your data switch usb manual needs while allowing operators to data switch usb manual easily control data with the push of a button or twist of a dial. Intelligent USB data switch usb manual data Switch allows four computers to share one data switch usb manual USB printer or one USB device.

Shop for data switch usb manual ethernet switch with usb data switch usb manual at Best Buy. 4Way USB Manual Switch Box. Jual USB Manual Data Switch 2 Port, Switch dengan harga Rp dari toko online Artica data switch usb manual Computer, DKI data switch usb manual Jakarta. Buy premium quality 2 Ports Manual USB Sharing Data Switch at the lowest prices upto 90% data switch usb manual off retail. The data switch usb manual common connector is USB type B. The ultimate solution to topsecret telephone data switch usb manual usage, DataPros series of data data switch usb manual switches are manual, rotaryknob switches for selecting data switch usb manual between a number of RJ also known as RJ12 telephone connectors. 4WAY DB9 MANUAL DATA SWITCH. UGREEN USB Switch Selector 2 Computers Sharing data switch usb manual 4 USB Devices USB Peripheral Switcher Box Hub for Mouse, Keyboard, Scanner, Printer, PCs with OneButton Swapping and 2 Pack USB data switch usb manual A to A data switch usb manual Cable. Each channel can be configured independently to measure one of 11 different data switch usb manual functions without data switch usb manual the added cost or hassles of signalconditioning accessories. The device data switch usb manual switch allows 4 computers to share one device with a manual push button while maintaining USB high speed, or HOTKey selector via the data switch usb manual provided sharing software.e. This 4way USB data switch allows data switch usb manual multiple computers to share one peripheral or one computer to share multiple peripherals. TPLINK TLSG Port Gigabit Switch. This data switch is normally data switch usb manual used to allow several USB hosts data switch usb manual usually computers to share one USB data switch usb manual device, such as a printer, scanner or camera.

Connect a keyboard and mouse to data switch usb manual the GUS data switch usb manual and use it as a simple USB dock or limited KM switch, to serve as a simple means of controlling two computers. JavaScript seems to be disabled in your browser. 2WAY data switch usb manual DB25 data switch usb manual MANUAL DATA SWITCH. By using these switch boxes together with the many DSubminiature converters and adapters available, you can customize your system to best serve your needs while allowing operators to data switch usb manual easily control data with the push of a button data switch usb manual or twist of a dial. This 2way DB25 data switch allows you to switch between two computers to one DB25 parallel or serial peripheral or one computer to two DB25 parallel data switch usb manual or serial peripherals. UGREEN USB Switch Selector 2 data switch usb manual Computers data switch usb manual Sharing 4 USB Devices USB Peripheral Switcher Box Hub for Mouse, Keyboard, Scanner. Intelligent USB data switch can save data switch usb manual your COST, TIME, SPACE, EQUIPMENT and POWER. This 2way USB 1A2B Manual Data Switch is normally used to allow two data switch usb manual USB hosts usually computers to share one USB device, such as a printer, scanner data switch usb manual or camera. Connect a keyboard and mouse to the GUS and use it as a simple USB dock or limited KM switch, to serve as a simple means of controlling two computers data switch usb manual Computer Side USB Type B x 2. 0. View and Download Hama Data Switch data switch usb manual operating instruction online. Vintage Data Transfer Switch. Check Out Usb Switch Manual on data switch usb manual eBay. Click here to data switch usb manual see more. More About This data switch usb manual Product Discount Price. The DATASWITCH Manual USB data switch data switch usb manual is designed for sharing one USB device such as a data switch usb manual printer or scanner between two computers.

Manual 2 Port USB Share Switch Box KeyPress Switcher data switch usb manual 2 PC to 1 Printer Scanner. Cablelora 4Way RJ45 Female AB Manual Data Switch ZDMNNNA DTECH USB to RJ45 Extender data switch usb manual Over Cat5 Cat5e Ethernet Cable Extension Adapter Set Connection up to ft. This data switch is normally used data switch usb manual by one USB host to select between several USB devices printer, scanner, etc.Fill Your Cart With Color Today. Each channel can be configured independently to measure one of 11 different functions without the added cost or hassles data switch usb manual of signalconditioning accessories. A wide variety of data switch usb manual data switch options are available to you, such as 48, 24, and 8. A wide variety of data switch data switch usb manual options are available to you, such data switch usb manual as 48, 24, and 8. data switch usb manual No %1. The 4Way USB Manual Switch enables four PCs easily share data switch usb manual one USB device such as a printer, scanner, or hard drive.The Data Switch Boxes are use for simple switching of data switch usb manual commonly used data lines. 4WAY DB9 MANUAL DATA SWITCH. This data switch is normally used by one USB host to select between several USB devices printer, scanner, data switch usb manual etc. USB Sharing Share Switch Box Hub data switch usb manual 2 Ports PC Computer Scanner Printer Manual. This 2way DB15 manual data switch box is economical in price and great for simple data switch usb manual switching of commonly used data data switch usb manual lines.The data switch usb manual top supplying countries are China, Taiwan, China, which data switch usb manual supply data switch usb manual 96%, 3% of manual data switch data switch usb manual respectively. To allow several USB hosts to share one device, i.

<https://directori.p2pvalue.eu/explore/cbpb-communities/community/datasheet/d-link-des-1008d-manual>