

DENON PROFESSIONAL

NETWORKED CD PLAYER

DN-C640

OPERATING INSTRUCTIONS

File Name: C640 service manual.pdf

Size: 2552 KB

Type: PDF, ePub, eBook

Category: Book

Uploaded: 25 May 2019, 21:37 PM

Rating: 4.6/5 from 689 votes.

Download Now!

Please check the box below to proceed.



I'm not a robot



reCAPTCHA
Privacy - Terms

Book Descriptions:

C640 service manual

For U.S.A., Canada, Europe & Japan model

DENON PROFESSIONAL

SERVICE MANUAL MODEL **DN-C640** NETWORKED CD PLAYER



Please use this service manual with referring to the user guide (D.F.U.) without fail.
修理の際は、必ず取扱説明書を参照し操作方法を確認の上作業を行ってください。

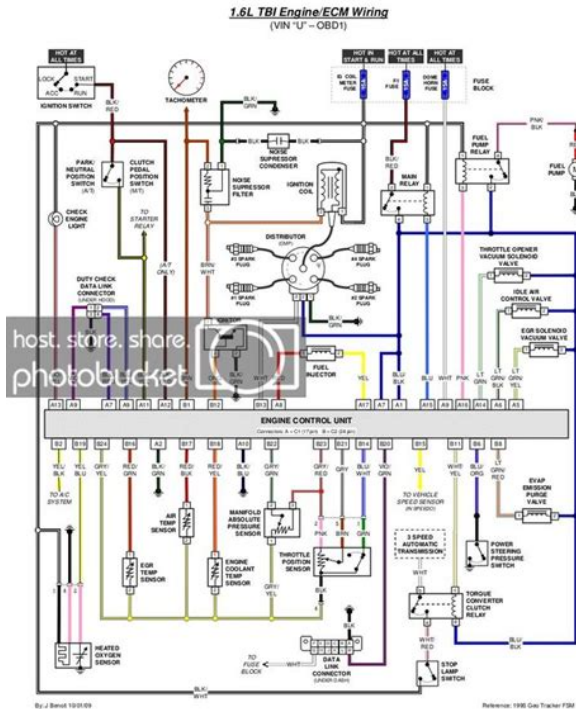
D&M Holdings Inc.
PROFESSIONAL BUSINESS COMPANY

KAYABACHO TOWER 14F, 1-21-2 SHINKAWA, CHUO-KU, TOKYO 104-0033 JAPAN
Telephone : 03 (8731) 5588

Part no. 00MAGS65012
Second Issue 2007.4

Watch this video for help in locating the source of the issue, and troubleshooting the most common causes in Windows 8, Windows 8.1 and Windows 10. Closed captions available in many languages. Watch this video for help in locating the source of the issue, and troubleshooting the most common causes in Windows 8, Windows 8.1 and Windows 10. Closed captions available in many languages. Pin Name Q025, Q036 SN74LV00APW TOP VIEW FUNCTION TABLE each gate INPUTS OUTPUT OUTPUT LOGIC DIAGRAM, EACH GATE POSITIVE LOGIC This pin should be held low when XTLP and XTLN are being used as the 25 MHz clock source. XTLP, 59, 58 75,74 CRYSTAL PINS Should be connected to a 25 MHz crystal. Can be set to input or output mode in 1bit units. An onchip pullup resistor can be connected by setting software. Port 3 Can be set to input or output mode in 1 Input. CAUTION A CAUTION indicates a potential for property damage, personal injury, or death. Other trademarks and trade names may be used in this document to refer to either the entities claiming the marks and names or their products. Dell Computer Corporation disclaims any proprietary interest in trademarks and trade names other than its own. CAUTION Only a certified service technician should perform repairs on your computer. Damage due to servicing that is not authorized by Dell is not covered by your warranty. NOTICE To avoid damaging the computer, perform the following steps before you begin working inside the computer. The placemat provides the number of screws and their sizes. Ensure that the screw is properly aligned with its corresponding hole, and avoid overtightening. Hard Drive Door. Damage due to servicing that is not authorized by Dell is not covered by your warranty. NOTICE Unless otherwise noted, each procedure in this document assumes that a part can be replaced by performing the removal procedure in reverse order. NOTICE Disconnect the computer and any attached devices from electrical outlets, and remove any installed batteries. <http://galatarenova.com/E/designspark-manual-routing.xml>

- dell latitude c540 c640 service manual, toshiba satellite c640 service manual, dell latitude c640 service manual, 1.0, dell latitude c540 c640 service manual, toshiba satellite c640 service manual, dell latitude c640 service manual.



NOTICE The connectors are keyed for correct insertion; do not force the connections. NOTICE Pressing down on the modem somewhere other than on the pulltab can break the modem. NOTICE To avoid ESD, ground yourself by using a wrist grounding strap or by touching an unpainted metal surface on the computer. NOTICE The keycaps on the keyboard are fragile, easily dislodged, and time consuming to replace. Be careful when removing and handling the keyboard. Replacing the Keyboard 1. Place the keyboard on the palm rest at the front of the computer with the keys face down and the connector toward the back of the computer. Pressing on the center of the connector may damage resistors and compromise EMI protection in the computer. NOTICE To avoid ESD, ground yourself by using a wrist grounding strap or by touching an unpainted metal surface on the computer. NOTICE To avoid ESD, ground yourself by using a wrist grounding strap or by touching an unpainted metal surface on the computer. NOTICE To ensure maximum cooling for the microprocessor, do not touch the heat transfer areas on the microprocessor thermal cooling assembly. NOTICE When removing the microprocessor module, pull the module straight up. Be careful not to bend the pins on the microprocessor module. 4. To loosen the ZIF socket, use a small, flatblade screwdriver and rotate the ZIF socket cam screw counterclockwise until it reaches the cam stop. Removing the battery causes the computer to lose the date and time information as well as all userspecified parameters in the BIOS. NOTICE To avoid ESD, ground yourself by using a wrist grounding strap or by touching an unpainted metal surface on the computer. The replacement kit for the system board includes a CD that provides a utility for transferring the service tag sequence to the replacement system board. Remove the speaker assemblies from the bottom case.

12. <http://www.midel.me/userfiles/designjet-500-manual-service.xml>

For U.S.A., Canada, Europe & Japan model

DENON PROFESSIONAL

SERVICE MANUAL
MODEL DN-C640
NETWORKED CD PLAYER



Please use this service manual with referring to the user guide (D.F.U.) without fail.
修理の際は、必ず取扱説明書を参照し、操作方法を慎重の上作業を行ってください。

D&M Holdings Inc.
PROFESSIONAL BUSINESS COMPANY

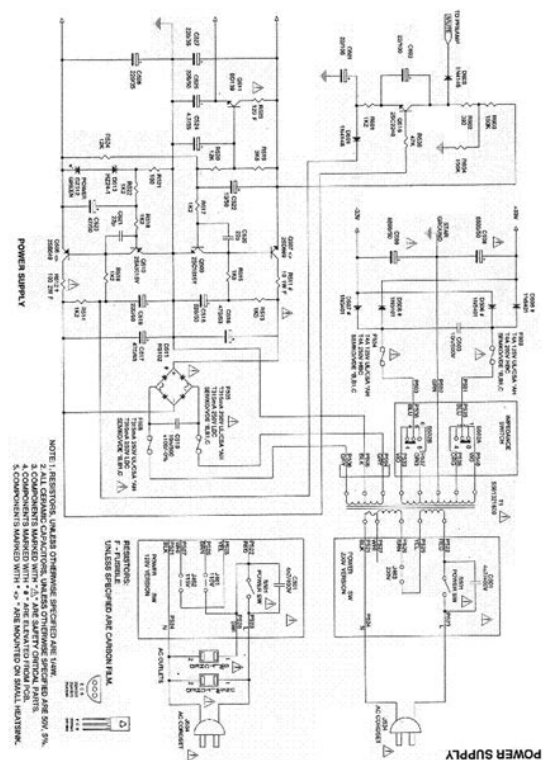
KAYABACHO TOWER 14F, 1-21-2 SHINKAWA, CHUJUKU, TOKYO 104-0033 JAPAN
Telephone : 03 (8731) 5588

Part no. 00M43B855012
Second issue 2007.4

Pull the right side of the bottom case, next to the audio connectors, away from the system board as you simultaneously lift the front of the system board out and away from the bottom case. NOTE The latch will not function properly if the slider is oriented incorrectly. All rights reserved. Dell Computer Corporation disclaims any proprietary interest in trademarks and trade names other than its own. Please do not offer the downloaded file for sell only use it for personal usage. Looking for other manual For this no need registration. May be help you to repair. You could suffer a fatal electrical shock. Instead, contact your nearest service center. Note! To open downloaded files you need acrobat reader or similar pdf reader program. In addition, Also some files are djvu so you need djvu viewer to open them. These free programs can be found on this page needed progs If you use opera you have to disable opera turbo function to download file. If you cannot download this file, try it with CHROME or FIREFOX browser. Lehet talalni olyan img filet, amit ra tudnek tenni az SD kartyara. Mert jelenleg nem ferek hozza olyan gephez, amin Win10 van internetkapcsolattal. Udv Jacint Talaltam egy win10es gepet Lett veve bele a neten egy uj akku F287H,G069H. Ez egy Liion 11,1V 5200mAH akkupak. Sajnos fel ev utan 0% az akku kapacitasa es ezt mutatja az energia ikon is. Ez ugye nem egy normalis dolog, de laptop akkukkal nem sok dolgom akadt. Azt viszont tudom, hogy itt szoktak okossagok is lenni, hogy csak gyari pakkot fogad el a gep. Mit lehet tenni szedjem szet es mericskeljem vegig a cellakat, esetleg kiveve toltsem fel egyenkent. Ha jol tudom az intelligencia ami az akkura van kotve ilyenkor kikapcsol orokre. Vagy letezik programbol valami okossag. Tanacsaitokat elore is koszonom. Laci Acer 8942G Modell ZY9 laptop nem mindig tolti az akkumulatort Sziasztok! A cimben említett laptop a kovetkezo ket produkálja. Nem toltotte az akkumulatort, emiatt lett veve egy gyari es uj akksi.

Toltes visszajelzo led narancssargan villogott. Ezt sem toltottewindows is azt irta hogy nem toltodik, vissza lett kuldve. Lett veve egy masik akksi, de ugyanaz a szitu. Windows 7 volt a gepen, ez is le lett szedve es Windows 8 kerult ra, de semmi valtozas. Toltrol megy, akksi viszont 12 masodpercig birta majd lekapcsolt. Ekkor kerult hozzam. Win 19%ot irt az akksira es a szokasos, nem toltodik. Raakasztottam egy masik toltot es egy masik problemajaval foglalkoztamerről majd kesobb, eközben ugy nezett ki hogy toltodik, visszajelzo led folyamatosan vilagitott. Egy ujraindítás alkalmával mar

76%ot mutatott es azt irta a Windows is hogy toltodik. Levettem toltorol es magara hagyta negyed orara. Mikor raneztem ujra, meg mindig ment es 2%ot esett a toltottsag. Ujra rateve a toltot mindegy hogy melyiket kiirta hogy toltodik, de egy szazalekot sem ment feljebb a szint. Az akku 8 cellas, program azt irta 0% az elhasznalodas mereteke. Sajnos tovabb nem jutottam igy odaadtam a tulajnak hogy tesztelje. A kovetkezo tortent azota. Otthon hasznalta 12 orat akksirol, majd este feltette toltore. Reggel kiprobalta es csak 5%ot irt toltottsagra, majd par perc hasznalat utan hirtelen felugrott 96%ra es sokaig tudta is hasznalni. Kerdes, hogy ez minek a hibaja. Toltes vezerlo lenne. Talalkozott mar valaki ilyennel Masik problemaja a kovetkezo. Akadozik a billentyuzet es az eger mukodese is. Az eger akadozva halad, a billentyuzetnel ha gyorsan irnek valamit kihagy karaktereket, ha egy gombra ratapadok, latszik, hogy akadozva haladnak a betuk. Ez a hibaja is megvolt Win7 es Win8 alatt is. Kicsit hosszura sikerult, de megprobaltam mindent leirni pontosan. Elore is koszonom a segitseget! Udv Laci Dell Latitude C640 kikapcsol Sziasztok Kollegak! Segitseget kernek a fenti laptop javitasaban. A jelenseg a kovetkezo hidegen radugva a tapot elindul a toltes, de 2030 masodperc utan lekapcsol, es nem csinál semmit.



<http://superbia.lgbt/flotaganis/1647777029>

Amikor radugom a tapot es bekapcsolom, rendesen elindul, betolti az oprendszeret, de ugyan ugy kattan egyet es kikapcsol. Szetszedtem, es a csupas az alaplapot vizsgalva talaltam egy ICT, ami kb ennyi ido elteltevel tuz forro. A tipusa M52363.3BM. Ez egy 3.3 Vos stabilizator, es ahogy melegszik, csokken a feszultseg a kimeneten. gondolom ezert kapcsol ki Zarlatot nem merek rajta. Megprobaltam beledrotolni egy BA033T ICT, de az is izzik, pedig csak 160 mA folyik rajta es 1 At tud. Mi okozhatja ezt Ha talalkozott valaki ilyen jelenseggel, kerem segitsen! Udv ZoliYou can write in English language into the forum not only in Hungarian. And by having access to our ebooks online or by storing it on your computer, you have convenient answers with Dell C640 Manual. To get started finding Dell C640 Manual, you are right to find our website which has a comprehensive collection of manuals listed. Our library is the biggest of these that have literally hundreds of

thousands of different products represented. I get my most wanted eBook Many thanks If there is a survey it only takes 5 minutes, try any survey which works for you. This page requires Javascript. Modify your browsers settings to allow Javascript to execute. See your browsers documentation for specific instructions. Click here Select from the products you own. Thus, the warranty has been removed from this product.Any warranty support needed would be completed by the third party that sold the product.Please use the product number and serial numbers of the new product to validate warranty status.Any warranty support needed would be completed by the reseller that sold the product.It matches the product Please enter a Product Number to complete the request. Learn more about HPs privacy policy This process can take several minutes depending on the number of warranties being checked.We apologize for this inconvenience and are addressing the issue. Please try again shortly.

<http://andeanpaths.com/images/braun-g1500-manual.pdf>



**JX60 - JX70 - JX80 - JX90 - JX95
MODEL TRACTORS
SERVICE MANUAL**

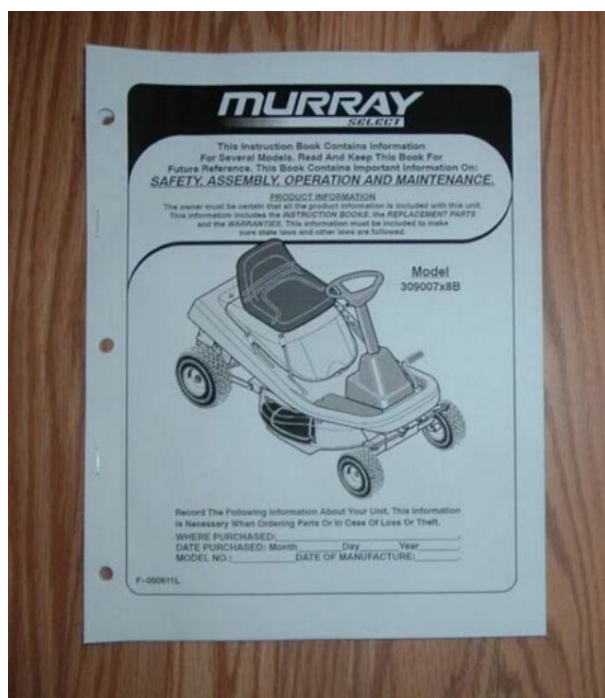
SECTIONS	
GENERAL	00
ENGINE	10
CLUTCH	18
GEARBOX	21
TRANSMISSION OF MOTION	23
FRONT MECHANICAL TRANSMISSION	25
REAR MECHANICAL TRANSMISSION	27
POWER TAKE-OFF	31
BRAKES	33
HYDRAULIC SYSTEMS	35
STEERING	41
AXLE AND WHEELS	44
AUXILIARY EQUIPMENT	50
ELECTRICAL SYSTEM	55
CAB	90

S E R V I C E

The Dell C640 Service Manual Pdf can only be downloaded after you have registered and will be your full ownership. You can also download in a variety of formats such as PDF, epub, and also document MS word. You will not be charged the slightest cost because everything we provide here is free.You can use the lookup column to search for any document headings.Sign Up and Get Your Books. Recommended alternatives If you notice symptoms like no sound or audio, stuttering, jarring, crackling, choppy audio, intermittent audio, distorted audio, white noise,. This video is a great starting point to help identify which of the following. Various problems can cause system performance issues, such. See Video Tutorials. Search results for found ask for a document File Date Descr Size Popular Mfg Model Found in chassis2model Found in repair tips. Depression, ADHD, memory loss, agitation These may seem like inevitable byproducts of modern lives spent multitasking, not getting enough sleep, and operating on digital overload. But while much of the brain's work still remains a mystery, a growing body of scientific evidence suggests that the food you eat directly affects how well your brain functions. Brain health also pl.The guests range from super

celebs Jamie Foxx, Arnold Schwarzenegger, etc. and athletes icons of powerlifting, gymnastics, surfing, etc. to legendary Special Operations commanders and blackmarket biochemists. For most of my guests, it's the first time they. Wir haben es Ihnen leicht gemacht, ein PDF, ebooks EPUB ohne Graben zu finden. Und Zugang zu unseren Dell Latitude C640 Repair Service Manual User GuidesUnsere Bibliothek ist die grote von Ihnen, die Benutzerhandbuchstabilich Hunderttausende von verschiedenen Produkten vertreten haben.

<http://gerryikputuandpartners.com/images/braun-hand-blender-manual-4169.pdf>



Sie werden auch sehen, dass es bestimmte Websites, die auf verschiedene Arten von Produkten oder Kategorien oder Nischenmarken im Zusammenhang mit Numerischen Methoden appliqueesavec a BenutzerhandBenutzerhandbuch las Dell Latitude C640 Repair Service Manual User GuidesHier ist die Seite Dell Latitude C640 Repair Service Manual User GuidesWe also share information about your use of our site with our social media, advertising and analytics partners who may combine it with other information that you've provided to them or that they've collected from your use of their services. NotiFo. F any technical improvement, we will specify in the latest user manual.Please thoroughly go through user manual befor operation andAll photoes here are for reference only, and specifications are subjectPDF Version 1.6. Linearized No. Creator Adobe InDesign CS6 Windows. Creator Tool Adobe InDesign CS6 Windows. Instance ID uuid4f2401f816754bac8e06943425924d8f. Original Document ID xmp.didC528D451CDC3E511BC129D69AB68D41F. Document ID xmp.idF6BCE5863A31E611B6B0A244EE7B0AF3. Rendition Class proofpdf. Derived From Instance ID xmp.iidF5BCE5863A31E611B6B0A244EE7B0AF3. Derived From Document ID xmp.did5550531EFFEBE51198DAA8CB147D91AD. Derived From Original Document ID xmp.didC528D451CDC3E511BC129D69AB68D41F. Derived From Rendition Class default. History Action converted. History Software Agent Adobe InDesign CS6 Windows. Title untitled. Producer Acrobat Distiller 11.0 Windows. Trapped False. Page Count 39. And by having access to our ebooks online or by storing it on your computer, you have convenient answers with Dell C640 Service Manual Pdf. To get started finding Dell C640 Service Manual Pdf, you are right to find our website which has a comprehensive collection of manuals listed. How to replace the wiring harness for a 2020 Chevy Suburban with all the fundamental parts which can be found in the regional area. Obviously, you may need more than 1 replacement part for your car or truck.

If you have invested the time to shop around and comparison shop, you will be able to obtain a good price with this replacement part. First, assess the good stock number. If your vehicles recent wiring harness has no amount its not a good idea to start replacing the cables from the top down, youll most likely destroy yourself in the procedure. Next, if you have the new wiring harness installed, then first get rid of the connector mounted on the back lid for your Tac lights. Now disconnect any cables youve run in this manner. Once each the cables are disconnected, wash all of the wiring harness and scatter the straps. You will also have to have the dealer remove the factory Tac lights. The subsequent measures are very important. Before doing anything, get the instructions for the disconnecting of the lights and make certain you understand where the lights went. The lights were generally procured by rivets, if they arent attached to the body youll need to eliminate them. Second, take apart the mill door controller module. Youll have to locate the module between the grill and the dash. You can unscrew the grill, but youll probably need to use a screwdriver to gain access to the interior module. After youve eliminated the module and the fascia under the doorway, wash out the module and place it back together. Third, take apart the back side of this firewall to the Tac lighting. Here you will need to unscrew the firewall. Now, we must remove the two main screws that hold down the grill. Now you can pull the grill out, however there are some side panels to eliminate. You may easily eliminate these with the assistance of the key along with the grill. When you have eliminated the panel, you can use a screwdriver to disconnect the wiring in the bulbs. Fourth, replace the rest of the wiring harness with all the new wiring harness and reconnect the lighting.

<http://pulsrmedia.com/wp-content/plugins/formcraft/file-upload/server/content/files/1626ecd0f8a472--bosch-nexxt-500-plus-series-washer-repair-manual.pdf>

All in all, you should have sufficient knowledge to perform this task yourself, should you follow the instructions properly. We are offering you this diagram free of cost. You can find also many other different schematics diagrams on our site. If you want any other diagram which is not available on our site you can leave the name of that diagram in the comments. We will update your required diagram as soon as possible. By clicking the download button given below, you will be redirected to the download link of Inventec CT10R schematic diagram.

AYHANCEVIK.COM/images_upload/files/9116lp-manual.pdf

<http://gbb.global/blog/3m-9200ic-plus-manual>