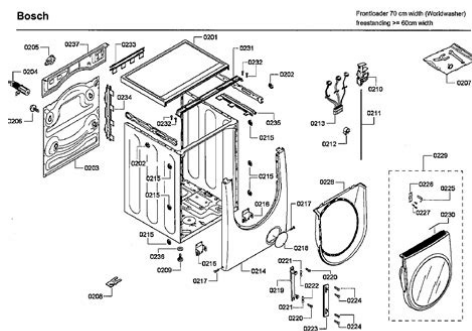


## bosch washer wfmc3301uc parts manual



**File Name:** bosch washer wfmc3301uc parts manual.pdf

**Size:** 2538 KB

**Type:** PDF, ePub, eBook

**Category:** Book

**Uploaded:** 16 May 2019, 23:10 PM

**Rating:** 4.6/5 from 559 votes.

**Status:** AVAILABLE

Last checked: 5 Minutes ago!

**In order to read or download bosch washer wfmc3301uc parts manual ebook, you need to create a FREE account.**

[Download Now!](#)

eBook includes PDF, ePub and Kindle version

[Register a free 1 month Trial Account.](#)

[Download as many books as you like \(Personal use\)](#)

[Cancel the membership at any time if not satisfied.](#)

[Join Over 80000 Happy Readers](#)

### Book Descriptions:

We have made it easy for you to find a PDF Ebooks without any digging. And by having access to our ebooks online or by storing it on your computer, you have convenient answers with bosch washer wfmc3301uc parts manual . To get started finding bosch washer wfmc3301uc parts manual , you are right to find our website which has a comprehensive collection of manuals listed.

Our library is the biggest of these that have literally hundreds of thousands of different products represented.



## Book Descriptions:

# bosch washer wfmc3301uc parts manual

By using our site, you agree to our use of cookies. Visit our Privacy Policy to learn more. We would like to invite you to take part in a short one minute survey. Thank you. If you wish to be contacted by us, please use our regular contact form here, contact Customer Support at 800 9442904, or chat online with a Customer Support representative. Learn about our response to Covid19 Struggled for 20 minutes, then read the directions. Done in five. Go figure. Also, needed to remove the drum weights. The bottom mounting bolts kept sliding out. Held them with a little duct tape until snug. Once new hinge was on I was able to attach the door. Very simple repair that took me approx 10 mins. Fifth part arrived Wednesday morning by Fed Ex. Seventh replaced top portion of washer and back but only put in two screws just in case another leak sprung up. Eighth turned water back on and NO LEAK! Ninth did a quick load consisting of 2 dog sweaters tiny dog just in case washer did not work. Tenth all went well still no leak and screwed back in all 15 little screws in back of washer and moved back into position and we did not have any parts left over after repair. Many thanks for having the part I needed with photo and getting it to me so quickly. The boot was no problem, I had the old one off and the new one on in 20 minutes. I tried till both of my thumbs were bleeding from the pressure. So I took off the top control panel, had access to the top of where the boot clamp groove is. I took one end of the wire off the spring, lubed it up with dish soap, put it around the bottom and sides and stretched the spring enough holding the end of the spring with one side of small needle nose pliers and vice grips on the wire part. It literally took all my strength to stretch that spring about an inch and a half to connect to the wire. Rear clamp done. <http://www.arndt-fahrschule.de/userfiles/complicated-grief-treatment-manual.xml>

- **bosch washer wfmc3301uc parts manual, bosch washer wfmc3301uc parts manual pdf, bosch washer wfmc3301uc parts manual download, bosch washer wfmc3301uc parts manual free, bosch washer wfmc3301uc parts manual diagram.**

The front wire clamp was just as hard, so I took the old rear clamp which was longer and made a new front wire clamp that I only had to stretch the spring about an inch. Bosch has those springs ridiculously tight. The boot was no problem, I had the old one off and the new one on in 20 minutes. I tried till both of my thumbs were bleeding from the pressure. Bosch has those springs ridiculously tight. Hold times are long. If the washer does not drain then the drain pump may be clogged, damaged, or defective. For washers with serial numbers starting FD8504 and later. If the washer does not fill or fills slowly then the water valve may be restricted and will require replacement. If the washing machine door does not open and close properly then the door hinge may be damaged. Since 1912, we've learned to recognize the most common problems. Do any of these look familiar. Join Repair Clinics VIP email list for 10% off, plus other discounts and tips. We've got millions of parts, hundreds of brands, and thousands of stepbystep videos— everything you need to find it, fix it and finish the job right. Even though parts may look the same, there are often variances in similar parts and it is important to buy parts that fit your specific model. Please try again. Select the series that matches your model number. Try checking the product description for more information. Please try again. Please try again. Part may differ in appearance but is a functional equivalent to prior parts including; 422244 Compatible Brands Bosch In order to navigate out of this carousel please use your heading shortcut key to navigate to the next or previous heading. Register a free business account Please try your search again later. Cold water inlet valve 00422244 is an original equipment manufacturer OEM part that fits some Bosch washers in these series WFMC, WFVC and WFXD. Water inlet valve 00422244 controls the cold water flow into the

washer. <http://www.casms.org/atts/news-files/complicated-grief-therapy-manual.xml>

Replaces original Bosch washer cold water inlet valve part number 422244. For Bosch. Amazon calculates a product's star ratings based on a machine learned model instead of a raw data average. The model takes into account factors including the age of a rating, whether the ratings are from verified purchasers, and factors that establish reviewer trustworthiness. Please try again later. C. Duncan 5.0 out of 5 stars Husband had the new ones installed in a few minutes. Perfect solution for my 10 year old Bosch Nexxt 500 washing machine the drum started slowing filling with water to the point that I had to shut off the water to the machine after my last load of the day. Otherwise, water would overflow onto the floor by the next morning I always leave the door open to the washer. An interesting tip I found was you should change the cold water inlet valve when you notice that the fabric dispenser does not drain properly. My dispenser has not worked correctly in at least a year. With the new valves installed, I feel like I have a brand new machine. If you can use a screwdriver and follow YouTube suggestions on how to unclip the valve from the chassis of the washer you'll have no problem replacing this part yourself. Quick, easy, permanent fix. Seems equal in weight and build quality to the original on my Nexxt 100 series. Love the washer and want to keep it going. Have replaced brushes twice. Great, quiet machine. One thing not immediately apparent when you go to install the plug and prongs seem to not match the original. My wife noticed that you have to press a catch and remove the top plastic part off of the solenoid. This part snaps on the new part and then accepts the washer plug with the 3 or 4 wires. The new part has green plastic instead of white. No big deal. Note If the water does not come on during the rinse cycle, the plug is plugged in wrong. I bought two of these, thinking the first one was defective. It was still cheaper than a repair man.

Take a picture with your phone before you disconnect anything, that would have been very helpful. Hubby agreed trying this part was a good option since the cost was less than a trip to the closest appliance dealer. He had it installed in less than 5 minutes and it solved the problem. This new valve fixed an overfilling problem that could have been a disaster. It was a perfect fit and easy to install. But, if I had it to do over I would not buy Bosch. Service and support is now nonexistent so if you cannot fix it yourself you are hosed. The previous one was leaking. I also replaced the hot water valve since I was already into taking apart the washer. Also, as a suggestion, you should replace the hot and cold water hoses connecting to your house water system at the same time especially if you have the washer and dryer stacked. Those lines will go bad over time and leak, usually when you are on vacation. It's been working though for a couple of months without any problems. You get what you pay for. Machine is working again after the old valve leaked. Sorry, we failed to record your vote. Please try again Sorry, we failed to record your vote. Please try again. Send a Houzz Gift Card. It fills then drains immediately on all cycles. I have only used HE detergent, in lesser amounts than recommended in manual and on machine. Called Bosch and representative said only to use 1 to 2 tablespoons. Well, they should have put that in the manual then. Also, wire spring around gasket has been coming off since the first month. Please help! No error codes appear, it just fills, drains, then shuts itself off. You can run a self diagnostics on this machine and it will provide a lot of info. I really can't post the tech info here but I can email it to you if you provide an email address. It is a complete teardown and diagnostic manual for a couple of other models, but they also apply to the 500 and 800 series as well.

<http://superbia.lgbt/flotaganis/1647621803>

My guess would be the motor control board has gone out, you can confirm this is self diagnostic mode. Hope this helps and if you can provide an email address I can email you the manual in pdf format. They are barely off the page. I have found on the web that for earlier models there is a reset code for Bosch washers. It requires one to get into the programming section of the controls. I have read the Bosch manuals which you have so generously posted and do not see anything for this washer. My washer reads out an error code of E01 and then in the programming section also reads

out code C00. Your manual indicates that there is a child interlock function on page 25 or 26. This process has not returned the door lock to normal operation. The manuals you have referenced do not seem to give pages 25 and 26. Do you have any thoughts on this problem It makes small hole in all of our tshirts. We ran a stocking around the drum and found rough spots which we removed with a diamond bit. Still have the problem. Anyone else with the same experience. 5 he Bosch tech says get a new drum but I dont want a repeat. BTW my 3 yr old Bosch dishwasher is on its 2nd recall. Never gonna buy Bosch again. Fortunately my mold was mainly on the bottom where the drain holes are and not around the whole seal. I also recently discovered that liquid detergent contains animal fat and have switched back to an HE compatible powder Tide. I cannot believe how much cleaner my clothes are, how sheets no longer get a slightly rancid smell when theyve been sitting in the cupboard for awhile, and how much cleaner my washer looks and smells. I will never go back to liquid detergent. Please email service manual so I can run diagnostic test. Is it possible to post a link to their manuals.Will send on the manual. I would greatly appreciate it. Display is reading E. No number code afterward. Signal keeps beeping and door is locked and cannot unlock it.Back when I had mine, it locked and I couldnt get it unlocked.

<https://judo-allier.com/images/canon-speedlite-430ex-owners-manual.pdf>

Dont remember if a error code displayed or not. Any way, the repairman told me to unplug it for awhile and that took care of it. Repair man replaced door lock and now I get nothing. Repairman cant come back for four days.I have gotten an E04 error twice In the last few months, so believe I should clean out the pump. Cant believe so many have problems with these machines. I wish they still made them. Came with my house 2005 MODEL I think. For the past year I get an E04, so I turn to off, wait, then to drain, allow water to drain out and back in business. Today it just STOPPED!!! Will work in Xtra Sanitary and Quick wash but will not spin or drain and door is locked. Holding my clothes hostage. Wondering if I need a new washer or if it can be repaired, correctly this time It is brushless. everything checks out OK there I opened the drain cover, cleaned up not much in there. Still keep getting the code any ideas Do I need to replace the pump. The clothes are still soaking wet when the code comes up and the washer stops doing anything If the pump is fine, the problem could be excessive suds. If that is not the issue, the pump may have failed. Do you hear it running when the machine is supposed to be draining Why should someone email you the links do you honestly expect other people to put in more effort to solve your problem than you seem willing to put forth Prior to trying these, it started to drain and the cloths were drier. Tried bother suggestions anyways. Thanks for your response You will note, if you read what I posted, that I used names at the start of each paragraph. I questioned Mr. Meyers effort. You, I offered advice a service I am now regretting. Are you that tightly wound, or loosely wound depending on your perspective. If you are asking for help, requesting that others give of their time and effort to assist you, put forth a modicum of effort yourself and actually read the reponses.

<http://electricpasion.com/images/canon-speedlite-580ex-ii-flash-instruction-manual.pdf>

Tightly wound YOU are the one asking for something and then being snarky. It was your misunderstanding, not mine. Perhaps you could be grateful for help rather than being a jerk when you are at fault. Ive been sending people the manual when they ask for it for a few years now, and it doesnt bother me at all. I actually hadnt noticed the link had been posted. All the best Does anyone know what this code is and how to fix. It wont agitate or spin. Maybe a service manual I could download.Only one screw catches and screws tight. Does anyone have an idea to fix this. It seems whatever metal piece that the one screw tightens into is not in the other screw locations. You can access them here Any ideas I would be extremely grateful to have a copy of the Bosch self diagnostic book.They all start normal, but we leave then come back 45 mins later and it is frozen at 45 or 56, and it is random where it stops at. But never completes the wash cycle. But sometimes it freezes a second time or more. Here's a look at what's to come Full Story 85 GREAT HOME PROJECTS How

to Switch to a Tankless Water Heater By Mariana Pickering Emu Building Science New project for a new year Swap your conventional heater for an energysaving model — and don't be fooled by misinformation Full Story 203 KITCHEN DESIGN Show Us Your Fabulous DIY Kitchen By Mary Jo Bowling Did you do a great job when you did it yourself.

We want to see and hear about it Full Story 194 BEFORE AND AFTERS Kitchen of the Week Classic White Farmhouse Style Restored By Sarah Greenman A couple remodel their kitchen to better match their 19thcentury Oregon home's style Full Story 120 FARMHOUSES New This Week 2 Charming Farmhouse Kitchens With Modern Convenience By Mitchell Parker These spaces have all of today's function with yesteryear's simplicity and character Full Story 87 KITCHEN DESIGN 24 Dramatic Kitchen Makeovers By Vanessa Brunner From drab, dreary or just plain outdated to modernized marvels, these kitchens were transformed at the hands of resourceful Houzzers Full Story 169 HOME TECH 3 Kitchen Contraptions You Won't Believe By Mike Elgan Pizza hot from the printer, anyone. And dont forget to rate me on this great site. Login to post The water will not flow into the machine. After a few minutes we see an error msg E02. I had replaced the hot water inlet valve two months ago because it developed a leak. No. The water will not flow into the machine. This video will show you how to find that leak on any frontAnd dont forget to like us on facebook There is a link attached in case you no longer possess a manual. It is only doing this from the hot water source. All connections are tight and there are no external leaks. The cold. Please check these linksThanks Rylee Please rate my solution. Thanks.Ive checked the drain hose on the back of the machine, Ive checked the hose from the drum to the pump filter and drained and cleaned the pump filter. I reconnected the power and tried again but still same code. Then I replaced the pump motor with an original part but Im still getting the same code. HELP me please!! Answer questions, earn points and help others. Please refer to product details and specifications when making a final selection for purchase.

[www.marsagri.com/wp-content/plugins/formcraft/file-upload/server/content/files/1626c75db08007---canon-eos-1d-mark-111-manual.pdf](http://www.marsagri.com/wp-content/plugins/formcraft/file-upload/server/content/files/1626c75db08007---canon-eos-1d-mark-111-manual.pdf)

Their machines are so advanced that its the most energy efficient in America, using 76% less water and almost 72% less energy then conventional toploading machines. It offers superior cleaning results and quieter operation. Bosch washers and dryers is the best youll ever own do to the powerful combination of efficiency, performance, value and engineering. Nexxt washers are built to take care of more then just clothing with dozens of innovative features. The new and larger 3.81 cu. ft. drum is inclined for easier loading and allows clothing to tumble in a complete 3D rotation. The suspended brushless motor helps reduce noise to an unprecedented 54 dB. Youll never have to struggle to reach for the last sock again with the largest door opening in its class. SENSOTRONIC technology senses load size, water level and temperature needs for superior results. This machine virtually operates at the touch of a button. Which means they can be installed virtually anywhere in the home without causing a disturbance Actual delivery times will vary based on your location. If you are ordering multiple items and not all items qualify for Quick Ship, the order will ship when all items are available to ship. Quick Ship may not apply to multiple quantities of the same product. Were in the process of adding our inventory and we stock much more inventory than is listed here online, so please call us if you dont see what you need. We either have it in stock in our warehouse or we can get it from the manufacturer right away. Replaces AP4309607, 1381572, 142152, 144339, 144486, AH3436169, EA3436169, PS3436169, PS8695683, B001DPPUAQ. Replaces AP3998198, 1256979, 141757, 141861, 142153, 144341, 144489, AH3436171, EA3436171, PS3436171, PS8695685. Replaces AP2822714, 1043249, 154740, AH3437515, EA3437515, PS3437515, PS8696040. Genuine Bosch Factory Part. Replaces AP2822829, 1046790, 361127, AH3453947, EA3453947, PS3453947, PS8704512.

Fits model WFR2460 Replaces AP3758492, 1105556, 422244, AH3462925, EA3462925, PS3462925,

PS8713229. Replaces AP3737683, 1105557, 422245, AH3462926, EA3462926, PS3462926, PS8713230. Genuine Bosch Factory Part. Replaces AP3764202, 1106007, 436440, AH3464593, EA3464593, PS3464593, PS8714879. Genuine Bosch Factory part. Replaces AP3691233, 1107393, 491678, 600301, AH3472323, EA3472323, PS3472323, PS8722576. Replaces AP3685100, 1107395, 491680, AH3472325, EA3472325, PS3472325. Genuine Bosch Factory part. Replaces AP3760403, 1107396, 491681, AH3472326, EA3472326, PS3472326, PS8722579. Genuine Bosch Factory part. Replaces AP3858620, 1162526, 497255, AH3473210, EA3473210, PS3473210. Replaces AP3858753, 1156781, 491629, 497391, AH3473238, EA3473238, PS3473238, PS8723484. Genuine Bosch Factory Part. Replaces AP4355295, 1559966, 611090, 612148, AH3477858, EA3477858, PS3477858, PS8727513. Genuine Bosch Factory Part. Replaces AP3965197, 1373096, 491694, 642112, AH3479203, EA3479203, PS3479203, PS8729758. Replaces AP4308795, 1387618, 494122, 641215, 644226, AH3479561, EA3479561, PS3479561, PS8730122. Replaces AP4501425, 1561173, 648526, AH3480201, EA3480201, PS3480201, PS8730790. Replaces AP4513147, 1557892, 491646, 651004, AH3480627, EA3480627, PS3480627, PS8731238. Replaces AP4324628, 1487488, 667487, AH3481764, EA3481764, PS3481764, PS8732872. Genuine Bosch Factory Part. Replaces AP4324453, 1388885, 445193, 667489, AH3481765, EA3481765, PS3481765, PS8732873. Genuine Bosch Factory Part. Replaces AP4398510, 1562454, 680768, AH3482998, EA3482998, PS3482998, PS8734171. Replaces AP4566890, 2000697, 674705, 678367, 701333, AH3484025, EA3484025, PS3484025, PS8735900. Genuine Bosch Factory Part. Replaces AP5961888, 00673541, 00660865, 660865, 673541, PS11705096. ERP Distributor California Residents Highpointe Manuals. Once your order is shipped, you will be emailed the tracking information for your orders shipment.

You can choose your preferred shipping method on the Order Information page during the checkout process. Total delivery time is broken down into processing time and shipping time. This includes preparing your items, performing quality checks, and packing for shipment. Some charges may apply. If you want to know more information, please contact the customer service. We will settle your problem as soon as possible. Enjoy shopping! CertifiedParts.com. Pros the old one didnt have the motor quick release feature or the drain like this one does and this one is faster and quieter. Cons It was unknown if this part fit my washer. But when looking up new part for washer this part number came up This product is key to the solution. New pump even has a drain hose. The original pump did not include a drain hose. This is a factory replacement pump and is as good as you get. The original pump was also noisy from day 1. My washer is 11 years old and the original pump got so noisy I had to replace Exact replacement for my washer drain pump. Verisign. There are 3 phases of human development and each of these has an associated picture. Whenever you are simply a fetus, you are a blastocyst, the stage where regular development stops and the next phase starts. Now you still havent completed your basic developmental stages, but youre far from becoming an adult. This stage is also referred to as the first period of human life. In this time of life you are producing immature eggs that make up your first pair of chromosomes and pass through the fallopian tubes to fit with the sperm. As you continue to develop you will be able to make viable embryos and they will begin their journey toward their destination. As the cycle progresses, you may continue to discharge eggs.

If your cycle continues along its natural course you will be at the middle phase of your evolution and theres absolutely no need to be concerned about a necessity to know the answer to the query what is the solution to this question. But its important to comprehend the symptoms and signs of menopause so you can prevent yourself from getting too far behind the guy whos going through his own menopause and start the process of becoming pregnant again. If you understand what to look for and what symptoms to search for you could have the ability to start preparing for your menopause early. When you get close to the menopause, your body will begin to become less effective at producing semen. If you have intercourse without using protection you may have issues with pregnancy. This is particularly true if you take birth control pills or if you are attempting to avoid

becoming pregnant through unprotected sex since its been proven that over 90% of women who are trying to have kids get pregnant with this method. Mitosis also has a significant impact in your bodys ability to generate the healthy antibodies essential to prevent certain cancers from happening. When you have just finished one of the phases of mitosis, then you may be more likely to contract certain cancers compared to somebody who is not. Although a number of these cancers are preventable through appropriate diet and exercise, having menopause can lead to a number of unnecessary ailments which are more difficult to treat. Ovulation timing can also be significant. Should you know the time of day which you ovulate, youll be able to effectively keep an eye on your fertility so you are prepared to conceive when it is most likely to occur. In addition, knowing the phase of the body at any given period will help you decide the best time to have sex in order to have an optimal fertility results. You may have to register before you can post click the register link above to proceed.

To start viewing messages, select the forum that you want to visit from the selection below. First, unplug the washing machine and make sure that there is no power to it. Unscrew the water supply and lay a towel under it. Now open the service flap and let off the water through the pipe. Next, unscrew the pump cover and fluff filter. Carefully check to see if there are any foreign objects in the pump. If the impeller can't be turned, something could have become jammed in it. In this case, contact the customer service department on. Watch our video with an instruction and tips on how to clean the filter in your Bosch washing machine. Your registration with MyBosch comes with a whole range of offers committed to make your Bosch experience even better, such as exclusive offers and infotainment. You need these for product registration and booking your repair service. In this case, contact the customer service department on 1300 369 744. Watch our video with an instruction and tips on how to clean the filter in your Bosch washing machine. Phone 1300 369 744 24 hours support Monday to Friday You need these for product registration and booking your repair service.

<http://gbb.global/blog/3g3hv-manual>